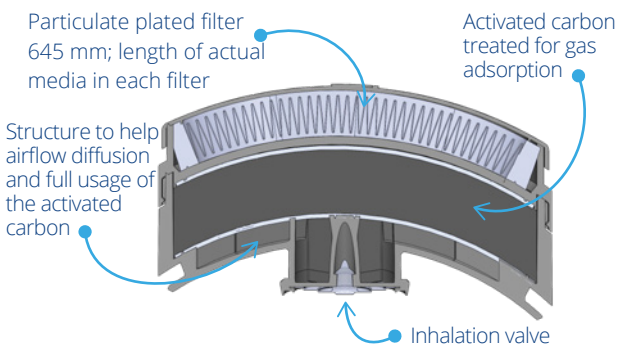


DISTRIBUTED BY:

Sedulitas

PEOPLE | PASSION | PRECISION

info@sedulitas.co.za +27 (0)82 561 4001
www.sedulitas.co.za



Standards

EN140: 1998 Mask Body
EN14387: 2004 + A1: 2008 ABE1P3 R D
CE 2797

Weight

Mask + Filter:
net (S/M) 270 g; (M/L) 274 g
gross (S/M) 340 g; (M/L) 344 g
Filter: net 91 g each; both net 182 g, gross 205 g

Shelf Live

5 years (mask & filters) See storage conditions on Instructions for Use.
Filters are re-usable and changeable.

Material

- Mask:** Medical grade TPE Conforms to ISO 10993-10: 2010 for irritations. Mask body latex and silicone free, odour free. Valve Body in Nylon, Inhalation/Exhalation diaphragm in Silicone. 4 point adjustable elasticated head and neck strap with comfort pad in TPE.
- Gas Filters:** Activated carbon sealed into a ABS Shell.
- Particulate filters:** Mechanical type multi-layer HESPA Synthetic media with TPE flexible overmolded / encapsulated. Particulate filters are integrated with the carbon element.

Production

United Kingdom



Code	Description	Quantity
SPR580 (S/M) SPR581 (M/L)	ABE1P3 Reusable Half Mask for Organic, Inorganic Gases and Dust	10 pcs. per box
SPR582	ABE1P3 Replacement filters	6 sets of 2 pcs. per box
SPM009	Elipse High efficiency Mask Carry Case (Belt holder)	10 sets per box

Applications - Universal gases, dust, mist and fumes

Type



Protection

A organic gases and vapours with a boiling point above 65°C
B inorganic gases and vapours (excluding carbon monoxide)
E sulphur dioxide and other acidic gases and vapours
P dust

