

KNT 320 Data collector

Data storage and recovery for KISTOCK 2015 dataloggers

The **KNT 320** data collector allows to download and store the recorded data from **Kistock 2015** devices in order to download them on a computer.
The **KNT 320** also allows to send a new configuration and start an other measurement dataset.



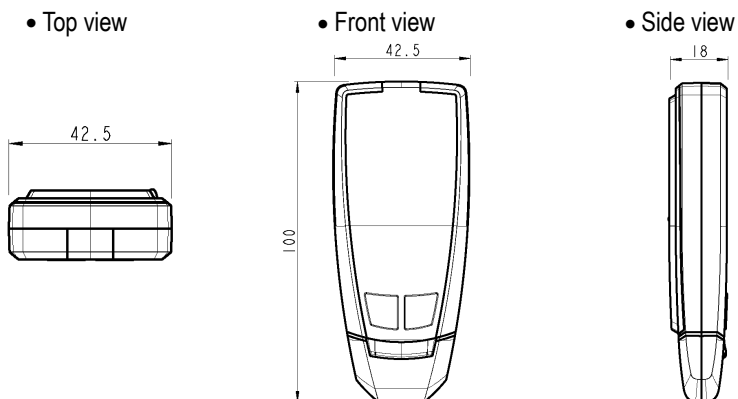
KEY POINTS

- Compatible with **Kistock 2015 range devices** (except class 120)
- Up to **20 000 000 points** stored
- Possibility to **send a new configuration** and **start an other measurement dataset**
- **Integrated male USB connector**
- **Fast data transfer** (1 minute maximum)
- **Rechargeable battery** by USB connection on PC

TECHNICAL FEATURES

Storage capacity	Up to 20 000 000 points
Speed of data transfer	From Kistock to data recorder: 400 values/second From data recorder to PC: 1000 values/second
Operating temperature	From 0 to +50°C
Storage temperature	From -20 to +70°C
Charging temperature	From 0 to +45°C
Autonomy	According to downloading frequency
Compatible software	Kilog 2015

DIMENSIONS (mm)



HOUSING

Weight

53 g

Display

1 line LCD screen, 128 x 128 pixels
Dimensions: 30 x 25 mm

Control

1 OK key
1 ON/OFF – Selection key

Communication

Data collector – PC: integrated A male USB connector
Data collector – Kistock: female USB / male micro-USB adapter, supplied with the device (*reference: KNT-A*)

Material

Compatible with food industry environment
ABS housing

Protection

IP65

Power supply

1 lithium-polymer battery

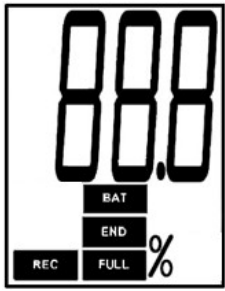
Charging time

About 7 minutes (50%)
to 2 hours (100%)

Environment

Air and neutral gases

DISPLAY



- REC** When the icon appears: data transfer in progress
- END** Indicates that the data transfer is done
- FULL** Flashing slowly: data collector reached between 70 and 80% of its storage capacity
Flashing quickly: data collector reached between 80 and 90% of its storage capacity
Constant: data collector reached between 90 and 100% of its storage capacity
- BAT** Constant: indicates that the battery has to be recharged
Flashing: charging battery
Disappears when the battery is charged

KEYS FUNCTIONS

- ON/OFF – Selection key:** press once to start the device / press for 5 seconds to switch it off.
Press successively to scroll functions.
- OK key:** allows to validate functions.

ACCESSORIES

The data collector is supplied with a female USB / male micro-USB adapter
Reference: KNT-A



- Only the accessories supplied with the device must be used.**

KILOG 2015 SOFTWARE



Configuration and data processing software
KILOG 2015 software allows to configure, save and process your data in a very simple way.

- Software only: Ref. **KILOG-3-N**
- Complete set: software + 1 USB cable, Ref. **KIC-3-N**

- Only the KILOG 2015 software is compatible with the KNT 320 data collector**

MAINTENANCE

Please avoid any aggressive solvent.
Please protect the device from any cleaning produce containing formalin.

GUARANTEE PERIOD

KNT 320 data collector have 1-year guarantee for any manufacturing defect (return to our After-sales service required).

PRECAUTIONS FOR USE

Please always use the device in accordance with its intended use and within parameters described in the technical features in order not to compromise the protection ensured by the device.

CONNECTIONS

Kistock – Data collector connection



Female USB / male micro-USB adapter (reference: KNT-A)

Data collector – PC connection



Male USB connector

Unlosable cap

RECHARGE THE BATTERY

The **KNT 320** power supply is ensured by a rechargeable lithium-polymer battery.

When the battery is low, the **BAT** icon is displayed.

- Plug the data recorder on an USB port of the PC to recharge the battery.

Charging time:

About 7 minutes: 50%
About 2 hours: 100%

www.kimo.fr



EXPORT DEPARTMENT
Tel : + 33. 1. 60. 06. 69. 25 - Fax : + 33. 1. 60. 06. 69. 29
e-mail : export@kimo.fr



DISTRIBUTED BY:
Sedulitas
PEOPLE | PASSION | PRECISION
info@sedulitas.co.za +27 (0)82 551 4001
www.sedulitas.co.za