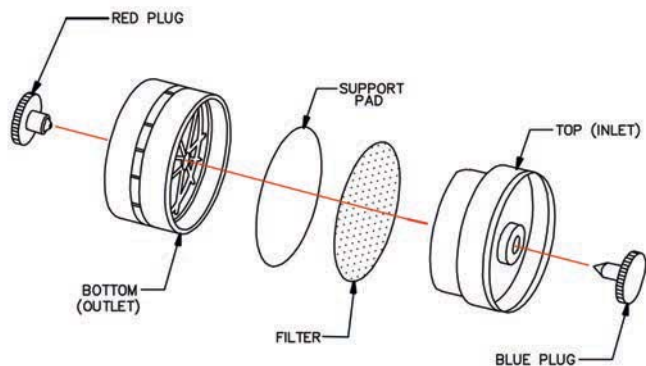


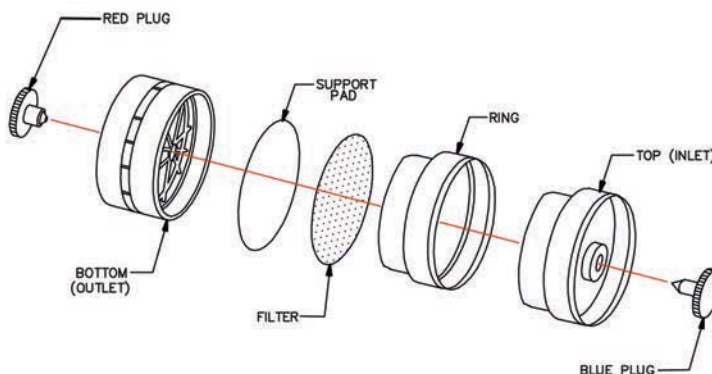
2-piece Standard Style Cassette Configuration



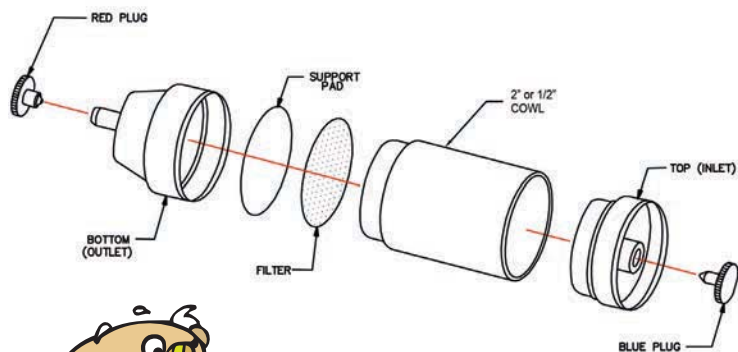
2-piece cassettes are advantageous when only “closed faced” sampling is required. This is because during sampling, contaminants will cling to the walls of the cassette from electrostatic forces. With approximately 35% less surface area in a 2-piece cassette vs. a 3-piece cassette, there is less surface area for contaminants to cling to and thus more contaminant where it should be — on the filter membrane.

3-piece Standard Style Cassette Configuration

3-piece cassettes provide flexibility because they can be used for both “open face” and “closed face” sampling as well as connect to cyclones. The main disadvantage would be that 3-piece cassettes have more static charge than 2-piece cassettes, resulting in more potential for sample loss.



3-piece Asbestos Style Cassette Configuration



3-piece asbestos style cassettes feature a 2” (50mm) or 1/2” long cowl and can be used for both “open face” and “closed face” sampling. These housings are available with a static conductive cowl or in a clear styrene material.



The term “closed faced” sampling refers to using a 37mm cassette with the inlet in place and only the plugs removed. Alternatively, “open faced” sampling refers to using a 3-piece cassette and removing the inlet piece, thus creating an “open face”.



Standard Cassette Housings

Just like our preloaded cassettes, these unassembled cassette housings feature a leak free design and are manufactured in-house to stringent quality standards.



DISTRIBUTED BY:
Sedulitas
 PEOPLE | PASSION | PRECISION
 info@sedulitas.co.za +27 (0)82 551 4001
 www.sedulitas.co.za

Standard Style Housings

DIAMETER	TYPE	HOUSING STYLE & MATERIAL	PACK SIZE	PRODUCT
25MM	2-Piece	Standard Style Clear Styrene	50/bx	25MMH-2
	3-Piece	Standard Style Clear Styrene	50/bx	25MMH-3
	Ring	1/2" Spacer Ring Only, Clear Styrene	50/bx	25MMH-1
	Ring	1/2" Spacer Ring Only, Conductive	50/bx	25MMH-1-CF
37MM	2-Piece	Standard Style Clear Styrene	50/bx	37MMH-2
	2-Piece	Standard Style Opaque Colored Styrene	50/bx	37MMH-2-OP
	2-Piece	Standard Style Solvent Resistant PP	50/bx	37MMH-2-PP
	2-Piece	Standard Style Conductive	50/bx	37MMH-2-CF
	2-Piece	Standard Style Tenite	50/bx	37MMH-2-TN
	3-Piece	Standard Style Clear Styrene	50/bx	37MMH-3
	3-Piece	Standard Style Opaque Colored Styrene	50/bx	37MMH-3-OP
	3-Piece	Standard Style Solvent Resistant PP	50/bx	37MMH-3-PP
	3-Piece	Standard Style Conductive	50/bx	37MMH-3-CF
	4-Piece	Standard Style Clear SAN	50/bx	37MMH-4
	4-Piece	Standard Style Conductive	50/bx	37MMH-4-CF
	Ring	1/2" Spacer Ring Only, Clear Styrene	50/bx	37MMH-1
	Ring	1/2" Spacer Ring Only, Conductive	50/bx	37MMH-1-CF
47MM	2-Piece	Standard Style Conductive	25/bx	47MMH-2-CF
	3-Piece	Standard Style Conductive	25/bx	47MMH-3-CF

Material Explanations

Clear Styrene	Opaque Styrene	Polypropylene (Solvent Resistant)	Conductive Black Polypropylene
The most common material, a crystal clear styrene that provide excellent visibility inside the cassette housing.	Manufactured of the same styrene the clear one is, except it is an opaque brown color to prevent transmission of light into the cassette.	A natural polypropylene with a cloudy looking color. Material is resistant to a wide range of chemicals.	Manufactured using a polypropylene that is carbon filled making it conductive when grounded properly.